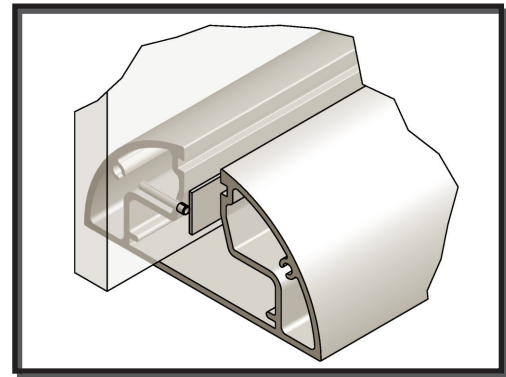


Features & Benefits

The Edge Lit LED 1/2 Round and 1/4 Round profiles are designed to accept 1/2" thick clear face material. The opening is .500" +/- .038". The Edge Lit has provisions for Spring Pins that will hold the face material in place resting above the LED's, preventing the weight of the face material from damaging the LED's. The Edge Lit is commonly used for desktop applications, hanging from ceilings and mounted to walls.



Answers to FAQ's

- Spring Pin spacing - Every 12" on center
- Check with your LED provider for spacing distance from the LED's to the bottom of the face material
- LED's not included

